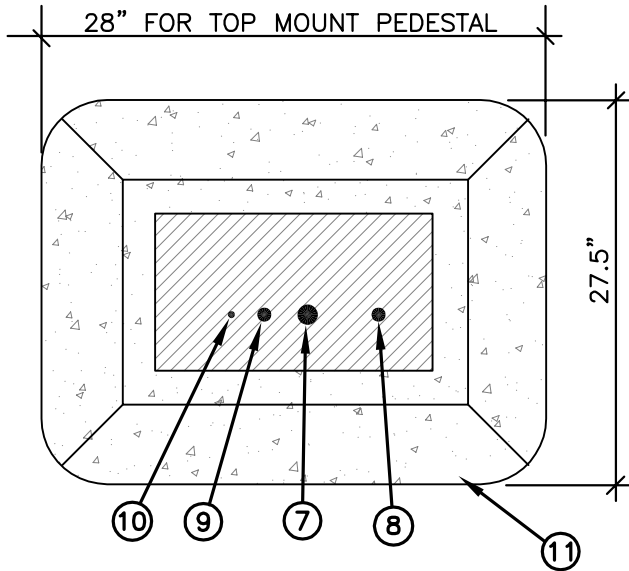


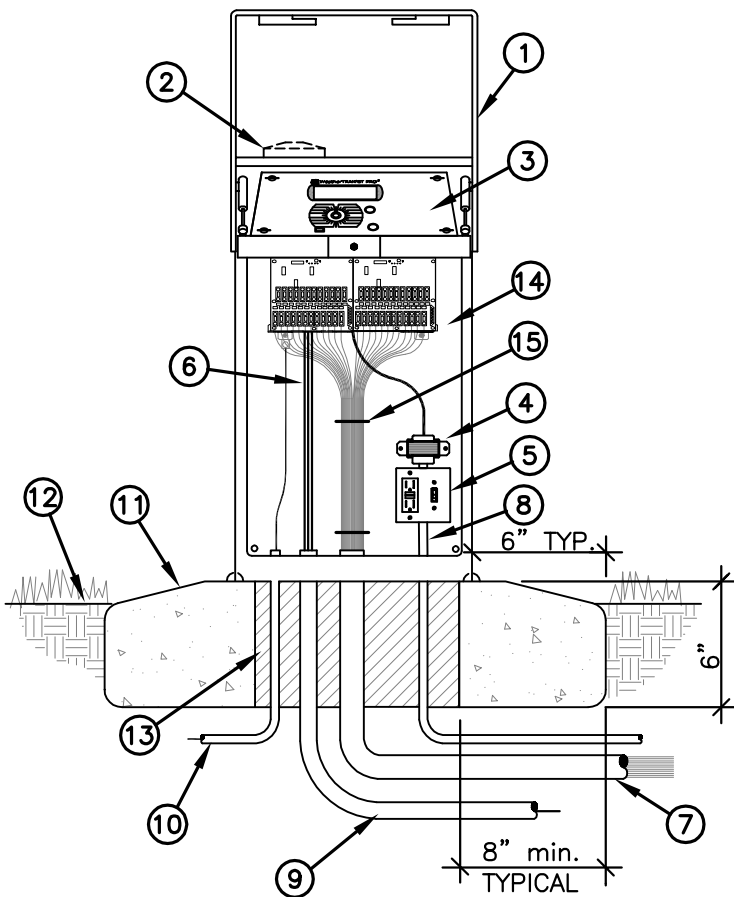
NOTE:
SEE IRRIGATION DRAWINGS FOR ENCLOSURE WIDTH.



NOTE:
MINIMUM CONCRETE BASE REQUIREMENTS. CONTRACTOR SHALL VERIFY NUMBER AND SIZE OF CONDUITS AND GROUND RODS REQUIRED FOR EACH ENCLOSURE INSTALLATION. USE ENCLOSURE MANUFACTURER'S TEMPLATE FOR PROPER LAG BOLT PLACEMENT. PROVIDE A MINIMUM OF 2" OF CONCRETE FROM LAG BOLT TO OPENING IN CONCRETE BASE FOR CONDUITS AND GROUND RODS.

LEGEND

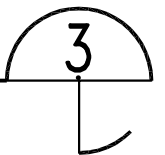
1. STAINLESS STEEL AUTOMATIC CONTROLLER ENCLOSURE ASSEMBLY. SEE IRRIGATION LEGEND FOR MAKE AND MODEL.
2. LOW PROFILE ANTENNA.
3. WEATHERTRAK ET PRO² SWM SERIES CONTROLLER. SEE DRAWINGS AND SPECIFICATIONS FOR ADDITIONAL INFORMATION.
4. CONTROLLER TRANSFORMER.
5. GFI ON/OFF POWER SWITCH RECEPTACLE. (OPTIONAL)
6. FLOW SENSOR CABLE AND MASTER VALVE WIRES PER SPECIFICATIONS.
7. 3" PVC SWEEP ELL AND CONDUIT FOR CONTROL WIRES.
8. 1" PVC SWEEP ELL AND CONDUIT FOR 120 VAC FROM METERED POWER SUPPLY.
9. 2" PVC SWEEP ELL AND CONDUIT FOR FLOW SENSOR CABLE AND MASTER VALVE WIRES.
10. 1" PVC SWEEP ELL AND CONDUIT FOR GROUNDING WIRE. WIRE SHALL BE AS STRAIGHT AS POSSIBLE. INSTALL GROUNDING WIRE PER LOCAL AND NATIONAL ELECTRIC CODES.
11. POURED CONCRETE BASE, SLOPE TO DRAIN.
12. FINISH GRADE. 2" BELOW TOP OF CONCRETE BASE.
13. FILL VOIDS WITH CONCRETE SLURRY MIX.
14. UNIVERSAL RADIO REMOTE INTERFACE. (TYPICAL)
15. NEATLY BUNDLE WIRES AND SECURE WITH WIRE TIES. (TYPICAL)



16" TOP ENTRY PEDESTAL MOUNT INSTALLATION FOR

SCALE: N.T.S.

WeatherTRAK ET PRO² SWM SERIES



HYDROPOINT
data systems, inc.

WEATHER BASED AUTOMATIC IRRIGATION CONTROLLER

29 MARCH 2010

REVISED --

DRAWING NO. 0003